

# FACTORYCAT®

Industrial Cleaning Equipment

# MICROMINI

17" - 20" Scrubbers



A COMPLETE FAMILY OF INDUSTRIAL CLEANING EQUIPMENT



# KEY FEATURES INDUSTRIES



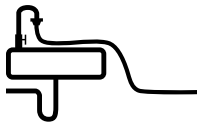
**Machine Control Panel** uses off-the-shelf toggle and marine duty switches and features universal icons which simplifies training.



**Vacuum Muffler** allows machine to consistently achieve as low as 65 dBA while thoroughly drying the floor.



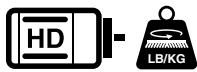
**Squeegee Adjustments made simple** with simple wing-nuts allows for tool free maintenance of the squeegee blade.



**Front Fill System** features a retractable hose for easy filling on standard sink-faucets and a stainless screen for bucket filling.



**Oversized Vacuum Screen Shut-Off** quickly arrests overflow issues to protect the Vacuum Motor.



**High Performance motors and down pressure** provides an unmatched standard of cleaning.



- Fabrication Shops
- Machine Shops
- Aviation
- Beverage Distribution
- Warehouses
- Automotive Shops
- Food Packaging
- Sports Arenas



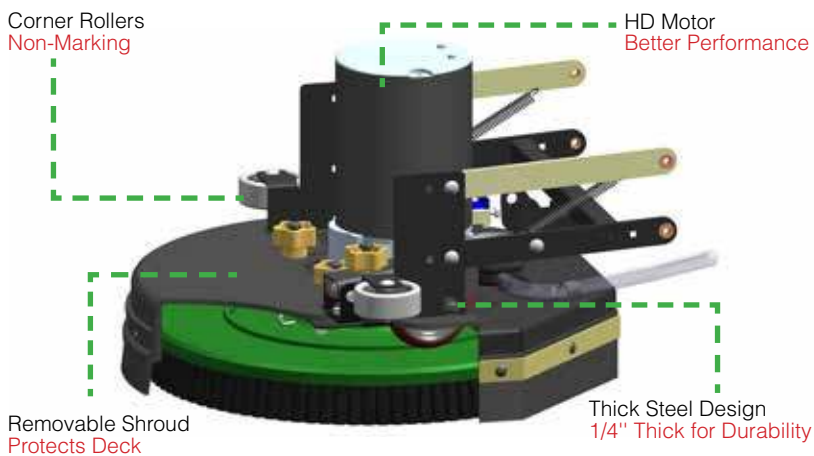
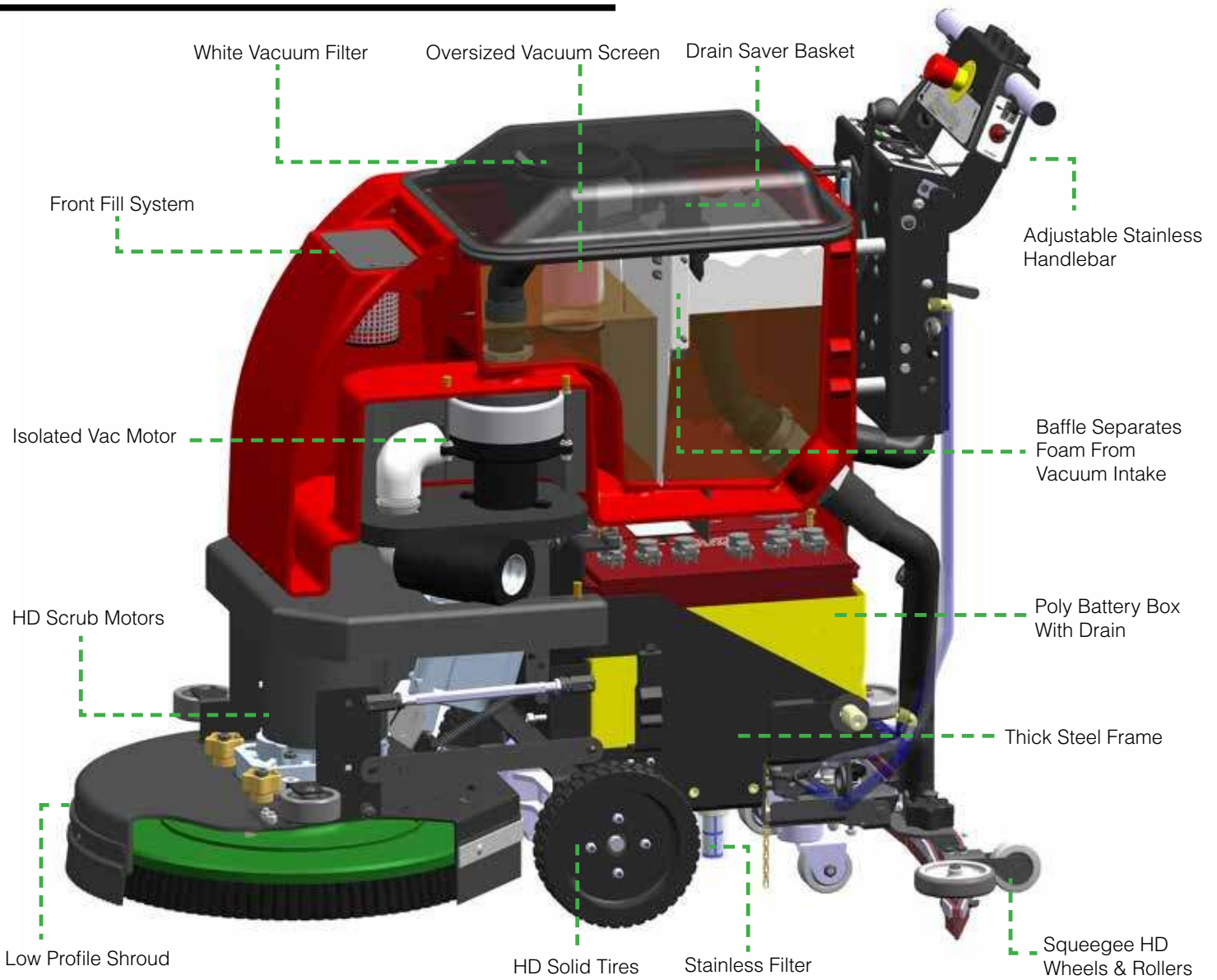
## TANK TIPS FOR ACCESS

- 1 Vacuum Screen & Filter Cleaning
- 2 Service Batteries
- 3 Inspect Scrub Motors
- 4 Inspect Vacuum Motor
- 5 Inline Solution Filter
- 6 Drain Saver

Reduce costly repairs associated with clogged floor drains with our Drain Saver Basket.



# VIEW INSIDE



## Disk Benefits

- Brush / Pad Selection
- Lowest Maintenance Cost
- Gimballed Drivers Improves Cleaning On Irregular Floors



# CALL FOR A DEMONSTRATION



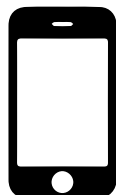
☎ **800-634-4060**  
 🌐 **(+001)-262-681-3583**  
 🌐 **www.factorycat.com**

Since 1986, our family owned company has been designing, building and supporting the best in floor maintenance equipment. Our **FACTORYCAT** brand services the world with unsurpassed industrial cleaning equipment, continually exceeding expectations and setting the industry bar that much higher. We've built our reputation by providing the highest value machines and providing local support via 425 distributors in over 42 different countries.

## AUTHORIZED DISTRIBUTOR



BODY CONSTRUCTION / DIMENSIONS	
Tank Material:	Poly 5/16" (7.9 mm) (3.2 mm)
Front Wheels (Diameter x Width):	(2x) 8" x 2" ([2x] 20.3 x 5.1 cm) - Solid Black ([2x] 6.4 x 3.5 cm)
Size (L x W x H):	42" x 21" x 39" (106.7 x 53.3 x 99.1 cm) (97.5 - 142.9 kg)
Weight (w/ 130 ah Batteries):	380 - 480 lbs (172.4 - 217.7 kg)
BRUSH / PAD SYSTEM	
Disk Dimensions:	20" - (1x) 20" Diameter (50.8 - [1x] 50.8 cm) <small>Includes Shroud for Wall Protection</small> ([1x] 559 watts)
Disk Brush Speed:	200 rpm (45.4 kg) (226.8 kg)
POWER SYSTEM	
System Voltage:	24 VDC
Optional Battery:	150 ah WET / 115 ah AGM
Charger:	120VAC / 60 Hz Input - 24VDC / 12 amp Output
DRIVE SYSTEM:	
Power:	0.75hp - All Gear / Sealed (559 watts) & Pad Assist (0 - 70 m/min / 4 km/h)
Scrubbing Speed:	0 - 184 ft/min / 2 mph (0 - 56 m/min / 3 km/h) (0 - 40 m/min / 2 km/h)
SOLUTION / RECOVERY SYSTEMS:	
Solution Tank Capacity:	10 Gallons (37.9 liters) - w/ Graduated Site Tube (0 - 2 LPM)
Recovery Tank Capacity:	10 Gallons (37.9 liters) - 1.5" diameter Drain Hose (4.7 liters)
Drain Saver:	30 cubic inches (491.6 cubic cm) (640 watts)
Vacuum Specs (Water Lift / Airflow):	70" / 70 cfm (177.8 cm / 2 cm/m) (76.2 cm) (86.4 cm) (66 cm & 86.4 cm)
GENERAL:	
Cleaning Width:	20" - Disk (50.8 cm)
Productivity - Theoretical:	Up to 15,748 sqft (1,463 sqm)**** <small>****Productivity is based off of ISSA 2010 Cleaning Times</small> (679 sqm)



**Manufactured By:**  
 R.P.S. Corporation  
 1711 South Street  
 Racine, Wisconsin 53404 (USA)  
 Phone: (800) 634-4060  
 International: (+001) 262-681-3583  
 www.factorycat.com